

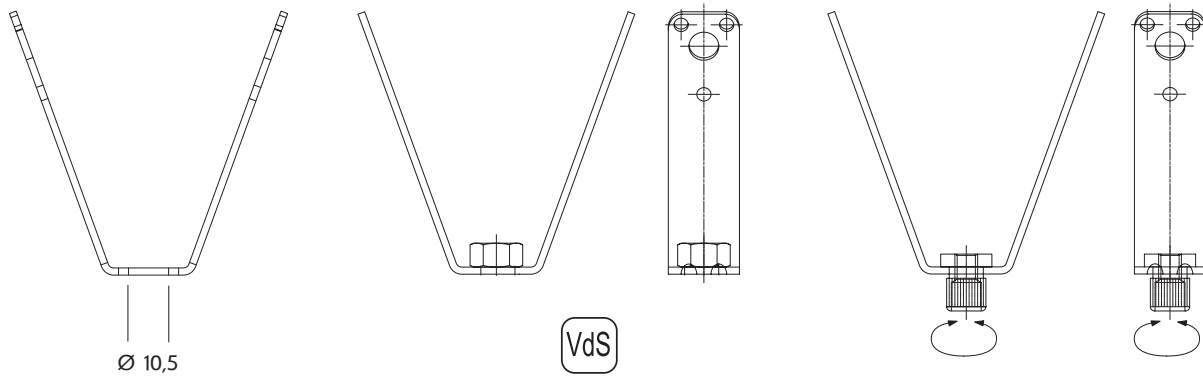
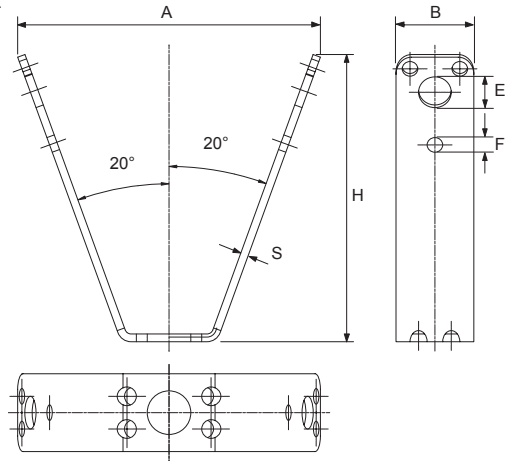


## Trapez Hanger

# Pipe Support

### Technical Features

- **Sizes:**  
Steel Profile: 25mm (B) x 2,5mm (S)
- **Material :** Carbon steel
- **Finish :** Electro Zinc Plated
- **Specification :** Adjustable Nut and Threaded Versions for Threaded Rod Suspension.  
To be used with blind rivets, self-tapping screws or nuts & bolts.



597581  
Through Hole

597582 & 597583  
Threaded Nut

597585  
Swivel Nut

### Trapez Hanger

### Physical Data

Reference	Type	Thread	Approvals	Dimensions (mm)						Box Qty.	Weight (x1) (kg / lbs)
				A	B	E	F	H	S		
597581	TH	-	-	970	21	10,5	6	915	2,5	50	0,10 / 0.22
597582	TN	M8	VdS	970	25	10,5	6	915	2,5	50	0,11 / 0.24
597583	TN	M10	VdS	970	25	10,5	6	915	2,5	50	0,12 / 0.26
597585	SW	M10	-	970	25	10,5	6	915	2,5	50	0,11 / 0.24